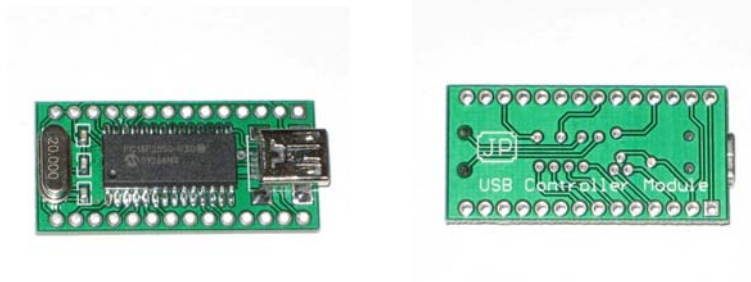


JP USB Controller



JP USB Controller is universe USB HID controller. It can send digital and analog data to PC and receive digital and analog data from PC. Users can use it to make any controller that they want. (Digital data is 8 bits, Analog data is 10 bits)

SPECS

Power: 5V VDC <25mA

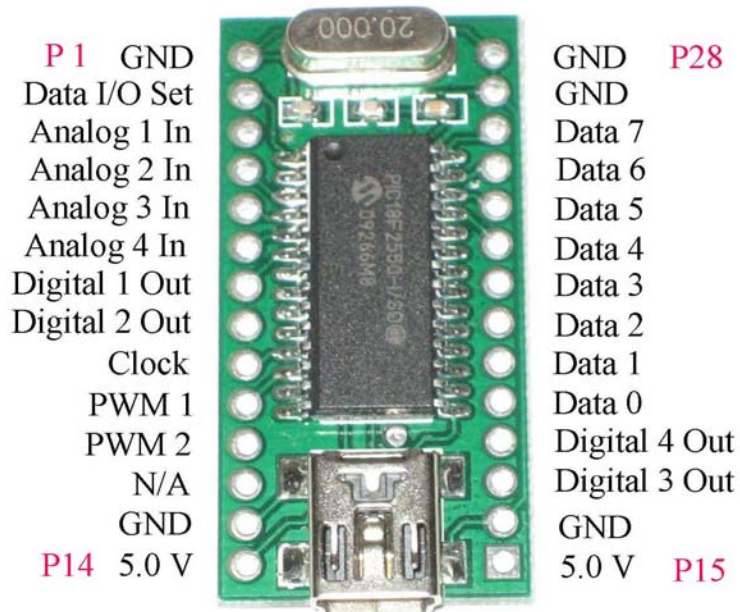
Size: 48mm x 18mm (1.5" x 0.75")

VID: 04D8

PID: FC33

Pin Functions:

(See picture)



Data Input Report Bytes

Data0 = 0

Data1 = Not use

Data2 = Low AN1

Data3 = High AN1

Data4 = Low AN2

Data5 = High AN2

Data6 = Low AN3

Data7 = High AN3

Data8 = Low AN4

Data9 = High AN4

Data10 = Not use

Data11 = Parallel Data

Data Out put Report Bytes = 8

Data0 = 0

Data1 = Not use

Data2 = Parallel Data

Data3 = Digital Data (xxxx0000 or xxxx1111)

Data4 = PWM1 Duty (5000KHz)

Data5 = PWM2 Duty (5000KHz)

Data6 = Not use

Data7 = Not use

REGULATORY WARNING

This device is intended solely for experimental purpose; it is not in finished product form and is **NOT** FCC approved. If you wish to install these modules into non-experimental final finished products, you will be responsible to have the modules approved by the FCC at your own cost.

Jianping Electronics

jp@jianpingusa.com

www.jianpingusa.com